

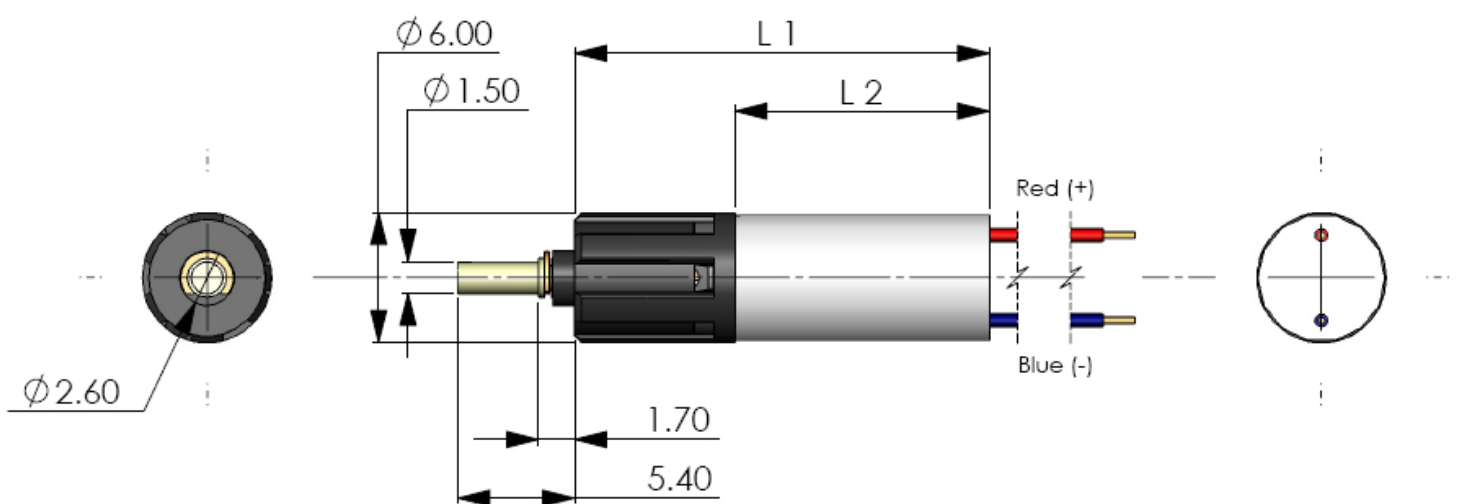
# Ø6mm Miniature Planetary Gear Motors

## GH612 SERIES


### Mechanical Details And Specifications

Part no.	GH6121S	GH6122S	GH6123S	GH6124S	
<b>Operating Voltage</b>	3V	3V	3V	3V	Motor Spec
<b>Speed (approx.)</b>	31000 rpm	31000 rpm	31000 rpm	31000 rpm	
<b>No. of gear stages</b>	<b>1</b>	<b>2</b>	<b>3</b>	<b>4</b>	Gearhead Spec
<b>Gear Ratio</b>	<b>1:5.14</b>	<b>1:26.45</b>	<b>1:136.02</b>	<b>1:699.55</b>	
<b>Voltage</b>	3V	3V	3V	3V	No Load
<b>Speed (approx.)</b>	5000 rpm	1000 rpm	200 rpm	40 rpm	
<b>Current(approx.)</b>	40 mA	40 mA	40 mA	40 mA	
<b>Maximum Torque (approx.)</b>	5 gcm	25 gcm	120 gcm	200 gcm	Max. Output Torque
<b>Length with motor L1</b>	17.80 mm	19.60 mm	21.40 mm	23.20 mm	Physical
<b>motor Length L2</b>	12 mm	12 mm	12 mm	12 mm	
<b>Shaft Diameter</b>	1.5 mm	1.5 mm	1.5 mm	1.5 mm	
<b>Weight</b>	1.6 g	1.7 g	1.8 g	1.9 g	
<b>Gearhead Material</b>	Plastic	Plastic	Plastic	Plastic	

### Gearhead Layout



Nominal Tolerance +/- 0.1mm unless otherwise specified



Unit: mm

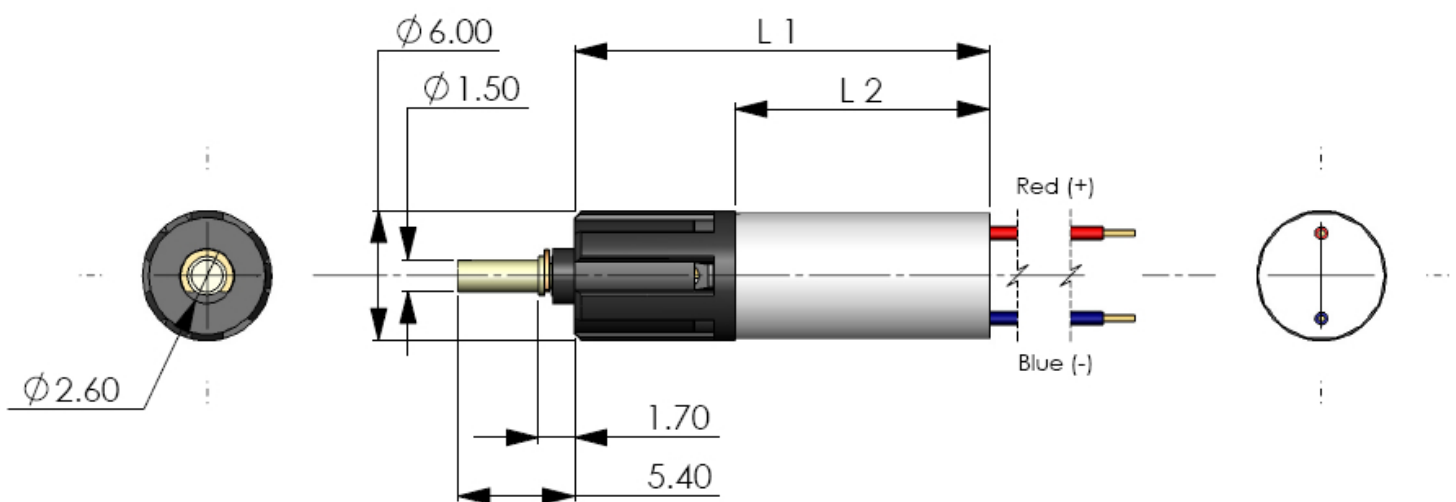
## Ø6mm Miniature Planetary Gear Motors

### GH612 SERIES

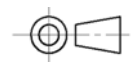
#### Mechanical Details And Specifications

Part no.	GH6121S-10	GH6122S-10	GH6123S-10	GH6124S-10	
Operating Voltage range	2.5-5.0v	2.5-5.0v	2.5-5.0v	2.5-5.0v	Motor Spec
Speed at 3V (approx.)	10 000 rpm	10 000 rpm	10 000 rpm	10 000 rpm	
No. of gear stages	1	2	3	4	Gearhead Spec
Gear Ratio	1:5.14	1:26.45	1:136.02	1:699.55	
Nominal Voltage	3V	3V	3V	3V	No Load
Speed (approx.)	1850 rpm	365 rpm	65 rpm	14rpm	
Current(approx.)	10 mA	10 mA	10 mA	10 mA	
Maximum Torque (approx.)	4gcm	16 gcm	60 gcm	160 gcm	Max. Output Torque
Length with motor L1	20.80 mm	22.60 mm	24.40 mm	26.20 mm	Physical
motor Length L2	15 mm	15 mm	15 mm	15 mm	
Shaft Diameter	1.5 mm	1.5 mm	1.5 mm	1.5 mm	
Weight	1.8 g	1.9 g	2.0 g	2.1 g	
Gearhead Material	Plastic	Plastic	Plastic	Plastic	

#### Gearhead Layout



Nominal Tolerance +/- 0.1mm unless otherwise specified



Unit: mm