

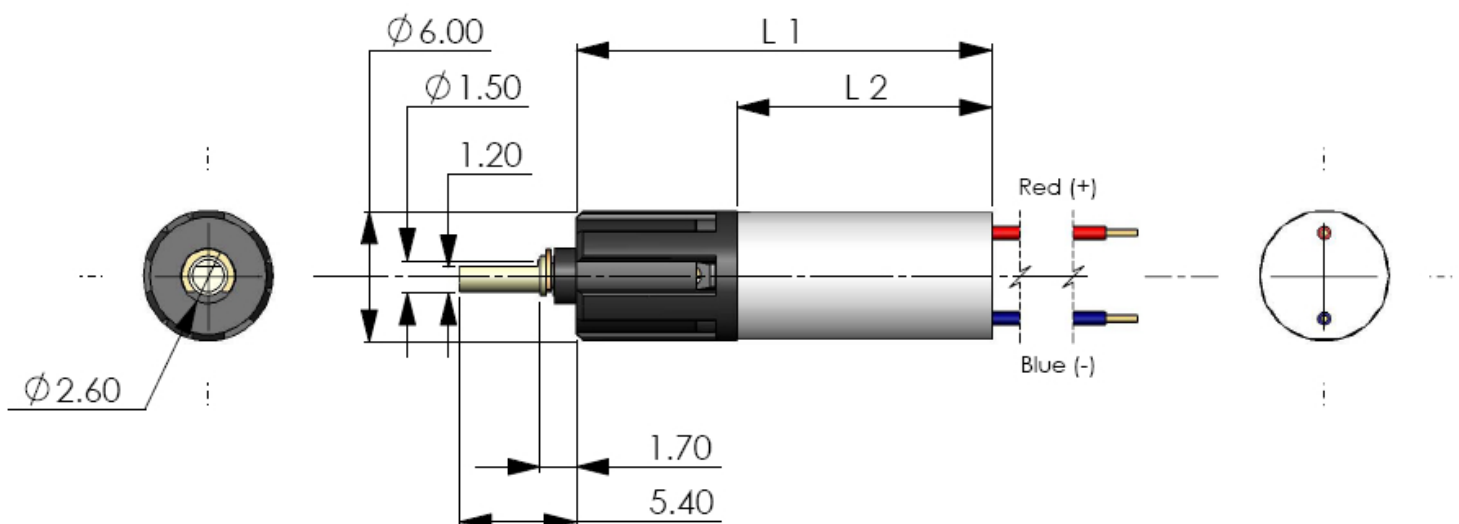
Ø6mm Miniature Planetary Gear Motors (D Shape Metal Shaft)

GH612 SERIES

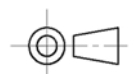
Mechanical Details And Specifications

Part no.	GH6122S-B	GH6123S-B	
Operating Voltage	3V	3V	Motor Spec
Speed (approx.)	31000 rpm	31000 rpm	
No. of gear stages	2	3	Gearhead Spec
Gear Ratio	1:26.45	1:136.02	
Voltage	3V	3V	No Load
Speed (approx.)	1000 rpm	200 rpm	
Current(approx.)	40 mA	40 mA	
Maximum Torque (approx.)	25 gcm	120 gcm	Max. Output Torque
Length with motor L1	21.40 mm	23.20 mm	Physical
Motor Length L2	12 mm	12 mm	
Shaft Diameter	1.5 mm	1.5 mm	
Weight	2.1 g	2.2 g	
Gearhead Material	Plastic	Plastic	
D Shape Shaft Material	Bronze	Bronze	

Gearhead Layout



Nominal Tolerance +/- 0.1mm unless otherwise specified



Unit: mm