

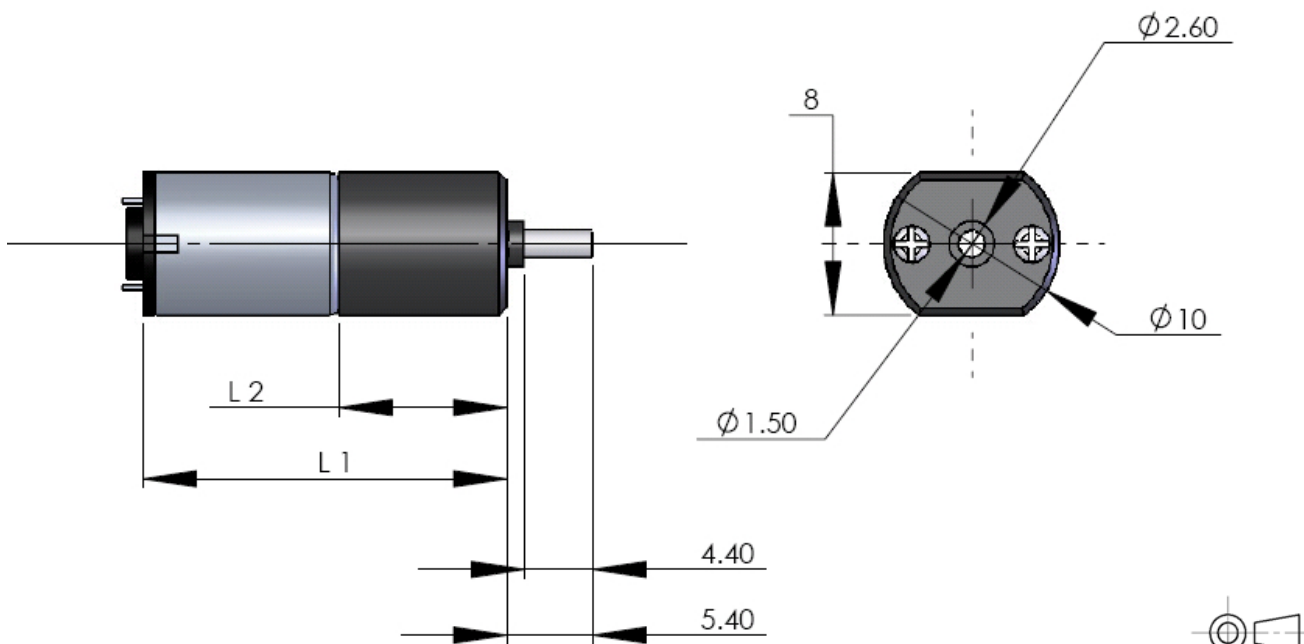
8mm x ø10mm Miniature Planetary Gear Motors

GH810 SERIES

Mechanical Details And Specifications

Part no.	GH810514V3	GH810514V3L	GH810264V3	GH810264V3L	GH810136V3	GH810136V3L	
Nominal Voltage	3V	3V	3V	3V	3V	3V	Motor Spec
Speed (approx.)	16000 RPM	7000 RPM	16000 RPM	7000 RPM	16000 RPM	7000 RPM	
No. of gear stages	1	1	2	2	3	3	Gearhead Spec
Gear Ratio	1:5.14	1:5.14	1:26.45	1:26.45	1:136.02	1:136.02	
Voltage	3V	3V	3V	3V	3V	3V	No Load
Speed (approx.)	2700 rpm	1350 rpm	500 rpm	250 rpm	100rpm	50rpm	
Current(approx.)	70mA	40mA	80mA	45mA	90mA	50mA	
Maximum Torque (approx.)	15gcm	15gcm	80gcm	80gcm	250gcm	250gcm	Max. Output Torque
Length without motor L2	5.7mm	5.7mm	7.6mm	7.6mm	9.5mm	9.5mm	Physical
Length with motor L1	16.80mm	20.80mm	18.7mm	22.7mm	20.6mm	24.6mm	
Shaft Diameter	1.5mm	1.5mm	1.5mm	1.5mm	1.5mm	1.5mm	
Weight	3.3g	4.5g	3.4g	4.6g	3.5g	4.7g	
Gearhead Material	Plastic						

Gearhead Layout



Nominal Tolerance +/- 0.1mm unless otherwise specified

Unit: mm