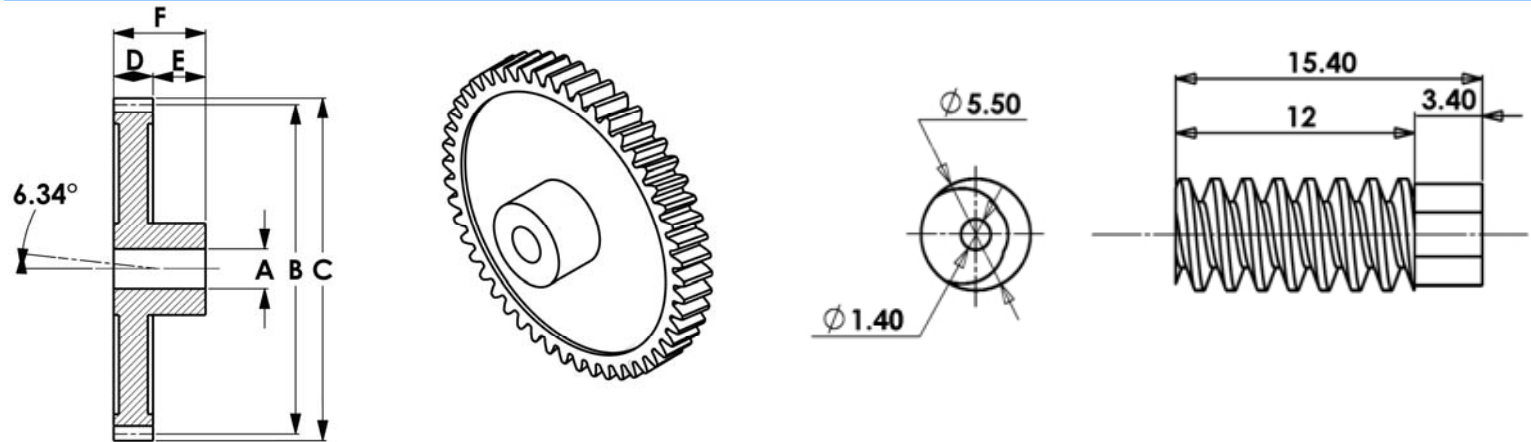


0.5 Module Worm Gear

Plastic Worm Gear & Worm

Overview



SPECIFICATIONS OF WORM GEAR

Teeth Range: $10 \leq Z \leq 58$, Pressure Angle: 20°

Module M_a : 0.5

Material: Acetal

SPECIFICATIONS OF WORM

Product No.: **GW0.5-01-14**

No. Of Thread = 1, Pressure Angle: 20°

Module M_a : 0.5, *Bore Size: 1.4mm

Material: Acetal

Product no.	Hand of thread	No of teeth	**Bore	Pitch dia.	Outside dia.	Hub width	Face width	Total length
		Z	A	B	C	D	E	F
GWG0.5-10-19	R	10	1.9	5	6	3	4	7
GWG0.5-12-19	R	12	1.9	6	7	3	4	7
GWG0.5-16-31	R	16	3.1	8	9	3	4	7
GWG0.5-18-31	R	18	3.1	9	10	3	4	7
GWG0.5-20-31	R	20	3.1	10	11	3	4	7
GWG0.5-22-31	R	22	3.1	11	12	3	4	7
GWG0.5-24-31	R	24	3.1	12	13	3	4	7
GWG0.5-26-31	R	26	3.1	13	14	3	4	7
GWG0.5-30-31	R	30	3.1	15	16	3	4	7
GWG0.5-32-31	R	32	3.1	16	17	3	4	7
GWG0.5-34-31	R	34	3.1	17	18	3	4	7
GWG0.5-36-31	R	36	3.1	18	19	3	4	7
GWG0.5-38-31	R	38	3.1	19	20	3	4	7
GWG0.5-40-31	R	40	3.1	20	21	3	4	7
GWG0.5-42-31	R	42	3.1	21	22	3	4	7
GWG0.5-44-31	R	44	3.1	22	23	3	4	7
GWG0.5-46-31	R	46	3.1	23	24	3	4	7
GWG0.5-48-31	R	48	3.1	24	25	3	4	7
GWG0.5-50-31	R	50	3.1	25	26	3	4	7
GWG0.5-52-31	R	52	3.1	26	27	3	4	7
GWG0.5-54-31	R	54	3.1	27	28	3	4	7
GWG0.5-56-31	R	56	3.1	28	29	3	4	7
GWG0.5-58-31	R	58	3.1	29	30	3	4	7

Remarks:

* The above bore size of Worm gear is for press-fit ($\phi 2\text{mm}/\phi 3.2\text{mm}$) shaft.

** The above bore size of Worm is for press-fit ($\phi 1.5\text{mm}$) motor axis.

Unit: mm